



KIESELMANN

FLUID PROCESS GROUP

KIESELMANN GmbH

Paul-Kieselmann-Str.4-10

D - 75438 Knittlingen

☎ +49 (0) 7043 371-0

Fax: +49 (0) 7043 371-125

www.kieselmann.de

Operating Instructions Translation of the original

6135 xxx 000-xxx

Pressure equalizer valve DN 50-100 NBR

for deaerate and ventilate spring- / weight-operated

ak 10.8.06 / 17.5.11

Field of application

This vacuum valve is used to prevent over- and low pressures in tanks and vessels in plants of the food and drink industry, pharmaceutical and chemical industries as well as in biotechnology.



ATTENTION

To avoid danger and damage, the fitting must be used in accordance with the safety instructions and technical data contained in the operating instructions.

Safety Instructions



DANGER

- With pressure greater than the set pressure the gaseous or liquid media will radially escape into the atmosphere via outlet drillings "A" and can cause injuries.
- According to the installation position, safety devices and draining devices are to be attached.

Function -overpressure-

The function of the valve is to prevent inadmissible overpressures of fluid media in tanks, containers and plant sections. Generally, the set pressure is greater than the operating pressure. The valve opens against a spring force if the operating pressure increases to the set pressure.

With the pressure increase the flow rate is constantly conveyed. (see Diagram S.3).

Function -low pressure-

The function of the valve is to prevent inadmissible low pressure shortfalls in tanks and containers. The valve opens against spring tension with an absolute pressure from 5mbar. The flow capacities referred to the relevant pressure are shown in the capacity diagram. (see Diagram S.3)

Installation instructions

In general the valve must be installed at the connection "RD" like in picture 1, page 2.

Cleaning

The cleaning of the safety valve is only possible in the dismantled state.

Technical data

Model: Pressure equalizer valve
for deaerate and ventilate
spring force closed
for gaseous media

Connection: DIN 11851

Temperature: -10°C / +130°C (steam - gas)

Material:	in product contact	not in product contact
Stainless steel:	1.4301 / ASI304 1.4404 / ASI316L	1.4301 / ASI304
Surfaces:	RA 0,8µm	RA 1,5 - 2,5µm E-polished
Seals:	NBR	-

Maintenance

The maintenance intervals depend on the operating conditions "temperature, temperature-intervals, medium, cleaning medium, pressure and opening frequency". We recommend replacing the seals every 3 years. The user, however should establish appropriate maintenance intervals according to the condition of the seals.

Disassembly and assembly

Disassembly

Unscrew the valve in connection (Rd)
Remove seal (10).

Assembly

- Thoroughly clean and slightly lubricate mounting areas and running surfaces.
- Assemble in reverse order.
-

Performance test

- Test proper performance in the operating state according to the specified performance data.



KIESELMANN

FLUID PROCESS GROUP

KIESELMANN GmbH

Paul-Kieselmann-Str.4-10

D - 75438 Knittlingen

+49 (0) 7043 371-0

Fax: +49 (0) 7043 371-125

www.kieselmann.de

Operating Instructions Translation of the original

6135 xxx 000-xxx

**Pressure equalizer valve DN 50-100
NBR**

for deaerate and ventilate spring- / weight-operated

ak 10.8.06 / 17.5.11

Spare parts list

Item-No.	Model	Item 1	Item 2	Item 3	Item 4	Item 5	Item 6	Item 7	Item 8	Item 9	Item 10
		Insert	Valve-plate	Disk	Plate	Screw (2x)	Sleeve (2x)	Screw (2x)	Spring	Housing	seal
		PVC	PVC	1.4404	1.4301	1.4301	1.4301	1.4301	1.4310	1.4301/1.4404	NBR 65Sh.
6135 050 000-021	1.4301 - polished	6134 050 002-062	6134 050 003-062	6134 050 004-041	6134 050 005-021	8065 004 025-020	6134 050 006-040	8065 005 010-020	8152 010 005-031	6135 050 001-021	2354 078
6135 050 000-041	1.4301 - unpolished									6135 050 001-022	053-055
6135 050 000-041	1.4404 - polished									6135 050 001-041	ø78xø53x3
6135 050 000-042	1.4404 - unpolished									6135 050 001-042	
6135 065 000-021	1.4301 - polished	6134 050 002-062	6134 065 003-062	6134 065 004-041	6134 065 005-021	8065 004 030-020	6134 050 006-040	8065 005 010-020	8152 015 010-031	6135 065 001-021	2354 095
6135 065 000-041	1.4301 - unpolished									6135 065 001-022	069-055
6135 065 000-041	1.4404 - polished									6135 065 001-041	ø95xø69x3
6135 065 000-042	1.4404 - unpolished									6135 065 001-042	
6135 080 000-021	1.4301 - polished	6134 080 002-062	6134 080 003-062	6134 080 004-041	6134 080 005-021	8065 004 040-020	6134 080 006-040	8065 005 010-020	8152 020 005-031	6135 080 001-021	2354 110
6135 080 000-041	1.4301 - unpolished									6135 080 001-022	080-055
6135 080 000-041	1.4404 - polished									6135 080 001-041	ø110xø90x3
6135 080 000-042	1.4404 - unpolished									6135 080 001-042	
6135 100 000-021	1.4301 - polished	6134 100 002-062	6134 100 003-062	6134 100 004-041	6134 100 005-021	8065 004 040-020	6134 080 006-040	8065 006 012-020	8152 020 015-031	6135 100 001-021	2354 130
6135 100 000-041	1.4301 - unpolished									6135 100 001-022	104-055
6135 100 000-041	1.4404 - polished									6135 100 001-041	ø130xø104x3
6135 100 000-042	1.4404 - unpolished									6135 100 001-042	

Dimensions

DN	Rd	D	L	B	H
50	Rd78x1/6"	ø53	90	ø73	118
65	Rd95x1/6"	ø69	102	ø90	135
80	Rd110x1/4"	ø80	136	ø104	184
100	Rd130x1/4"	ø104	157	ø124	223

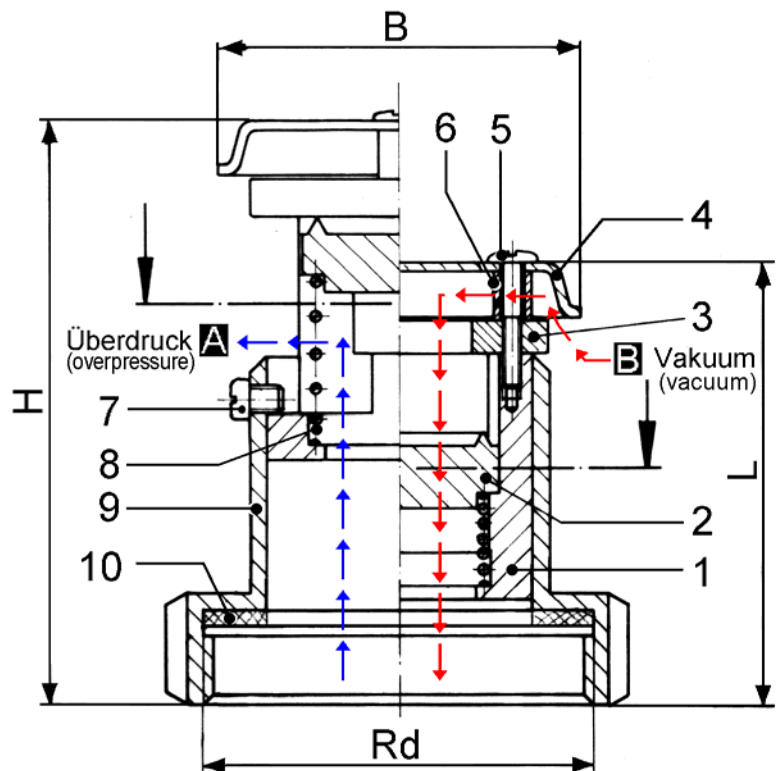


Fig. 1



KIESELMANN

FLUID PROCESS GROUP

KIESELMANN GmbH

Paul-Kieselmann-Str.4-10

D - 75438 Knittlingen

+49 (0) 7043 371-0

Fax: +49 (0) 7043 371-125

www.kieselmann.de

Operating Instructions Translation of the original

6135 xxx 000-xxx

Pressure equalizer valve DN 50-100 NBR

for deaerate and ventilate spring- / weight-operated

ak 10.8.06 / 17.5.11

□ Flow rate

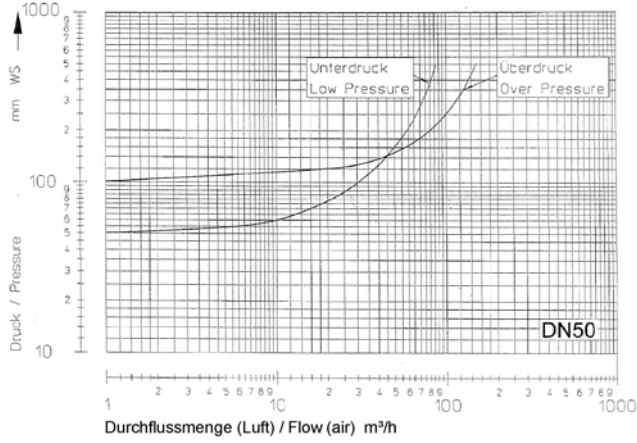


Diagram 1

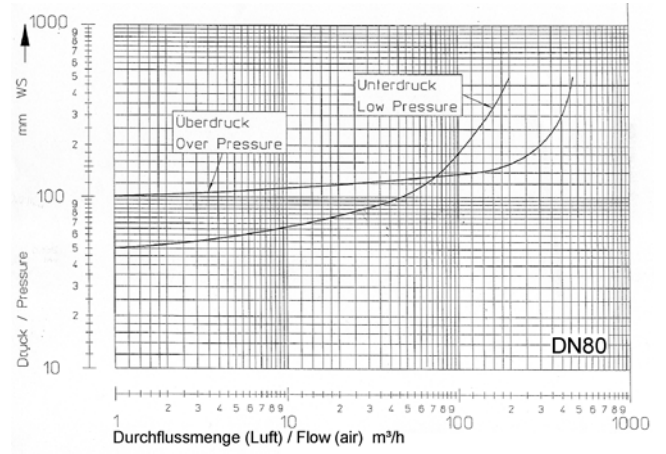


Diagram 3

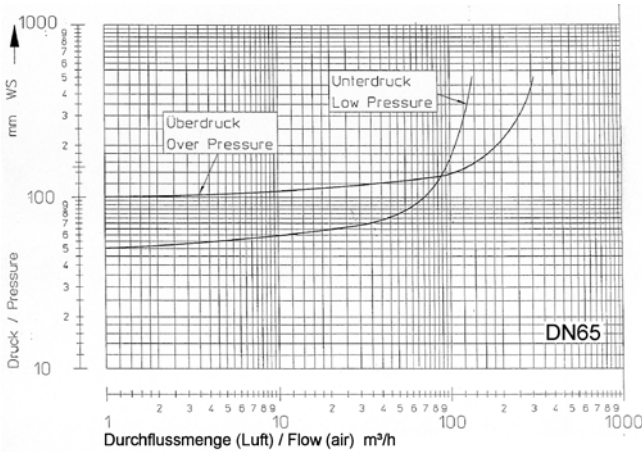


Diagram 2

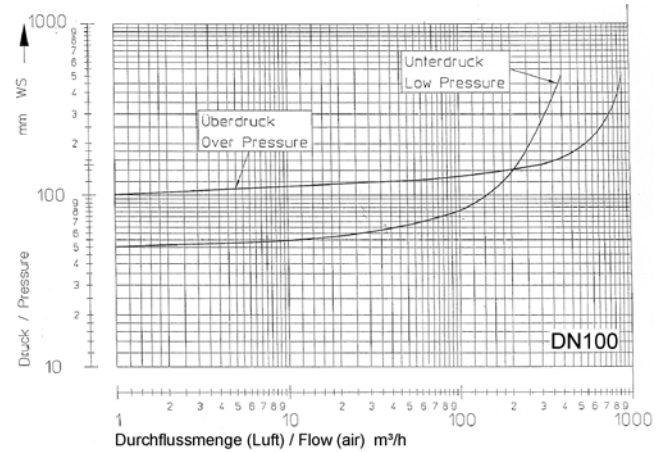


Diagram 4